

# ***OPERATOR'S MANUAL*** ***with Parts List & Warranty***



***For Model 100SP Topdresser***



# Model 100SP Topdresser

## LIMITED WARRANTY

**Earth & Turf Products, LLC** warrants to the original Purchaser, all Earth & Turf products, manufactured by it, to be free from defects in both material and workmanship under normal use and service.

**Earth & Turf Products, LLC** obligation under this Warranty shall be limited to replacement or repair of any parts thereof, free of charge to the original Purchaser, at its place of business, provided, however, that the part(s) to be replaced or repaired, shall **within 1 year** after delivery to the original Purchaser, be demonstrated to be defective: which determination shall be made by Company.

The said components or parts must be returned through the Selling dealer or distributor directly to the Company with all transportation charges prepaid.

---

**Notice of defects** shall be furnished in writing to the Seller and to the agent through whom the machinery was received, disclosing in full all known defects and failure in operation and use, and reasonable time shall be given to the Seller to remedy any such defects and failures.

**Failure to make such trial** or to give such notice shall be deemed an *absolute acceptance* by the Buyer and *satisfaction in full* of this Limited Warranty.

---

**Under no circumstances** does this warranty cover normal wear of any parts, components or material which, in the opinion of the Seller and the Company, have been subjected to neglect, misuse, alteration, accident, or if repaired, with parts other than those manufactured by and obtained from **Earth & Turf Products, LLC**.

**This Warranty does not cover** components which are already covered by a separate Warranty provided by the supplier of said parts or components.

**Earth & Turf Products, LLC's obligation** under this Warranty is limited to repair or replacement, free of charge to the original Purchaser, of any part which in the judgement of the Company is defective.

THIS WARRANTY IS MADE EXPRESSLY IN LIEU OF ALL OTHER WARRANTIES, EXPRESSED OR IMPLIED, INCLUDING ANY WARRANTY OF MERCHANTABILITY AND FITNESS FOR USE AND PURPOSE AND OF ALL OTHER OBLIGATIONS OR LIABILITIES ON ITS PART AND ANY IMPLIED PERSON TO ASSUME FOR IT, ANY OTHER LIABILITY IN CONNECTION WITH A SALE OF THESE PRODUCTS.

THIS WARRANTY SHALL NOT APPLY TO THESE PRODUCTS OR TO ANY PART THEREOF WHICH HAS BEEN SUBJECT TO ACCIDENT, NEGLIGENCE, ALTERATION, ABUSE OR MISUSE.

- The Company makes no warranty whatsoever in respect to accessories or parts not supplied by the Company.
- The term "original Purchaser", as used in this Warranty, shall be deemed to mean that person for whom the product is originally supplied.
- The Company, under this Warranty, cannot guarantee that existing conditions beyond its control will not affect its ability to obtain materials or manufacture necessary replacement parts.
- The Company reserves the right to make design changes, or specifications at anytime, without any contingent obligation on its parts to purchasers of machines and parts previously sold.  
No one is authorized to alter, modify or change the terms of this Warranty in any manner.
- The Company warrants the Construction of the equipment sold herein and will replace it at its expense for a period of one year from the date hereof, any parts which prove defective as determined under the terms of this Limited Warranty.
- This Warranty shall apply only within the boundaries of the continental United States.

# Model 100SP Topdresser

## INSTRUCTIONS

### IMPORTANT SAFETY PRECAUTIONS

## CAUTION!!!

■ **Operator must read before using unit.**

- 1 **KEEP HANDS AWAY** from any moving parts of the spreader during operations.
- 2 **NEVER** run spreader unless all guards are securely tightened in proper position.
- 3 **NEVER** repair any parts or make any adjustments while machine is in motion.
- 4 **NEVER** wear loose clothing around any moving parts of the machine.
- 5 **NEVER** allow anyone to ride spreader.

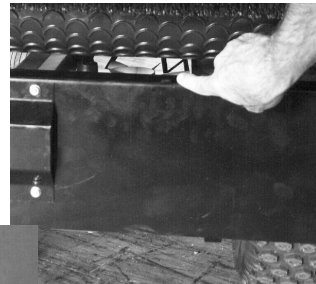
● **Failure to heed the above warnings may result in personal injury or death.**



- 6 **Check Engine Oil.** The oil should be up to the "full" line on the oil dipstick. The engine uses 10W30 motor oil.

- 7 **Check Hydrostatic Reservoir Oil Level.**

The reservoir is located under the machine at the rear.



Oil level in the reservoir should be up to the "full" line. The hydrostatic transmission uses SAE 10W30 oil.



### MAINTENANCE

- 1 **Entire Unit** must be washed thoroughly after each use. Never store material in spreader.
- 2 **Maintain proper** air pressure in tires to insure proper operation.
- 3 **Periodically** check and repack wheel bearings using standard wheel bearing grease. Maintenance level - twice during seasonal use.
- 4 **Drive Chain** requires graphite lubrication.

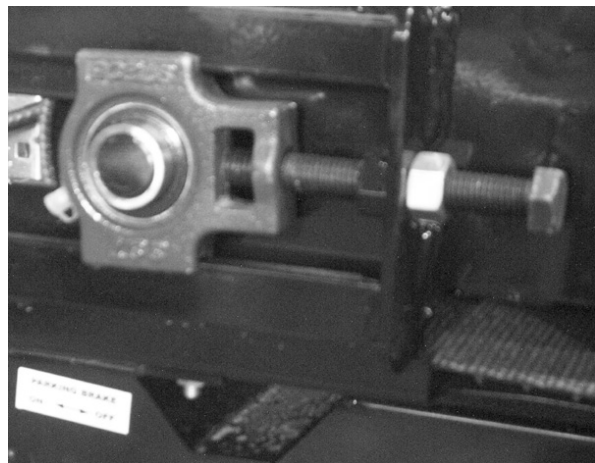
 **WARNING**



**MOVING PART HAZARD**  
To prevent serious injury or death from moving parts:

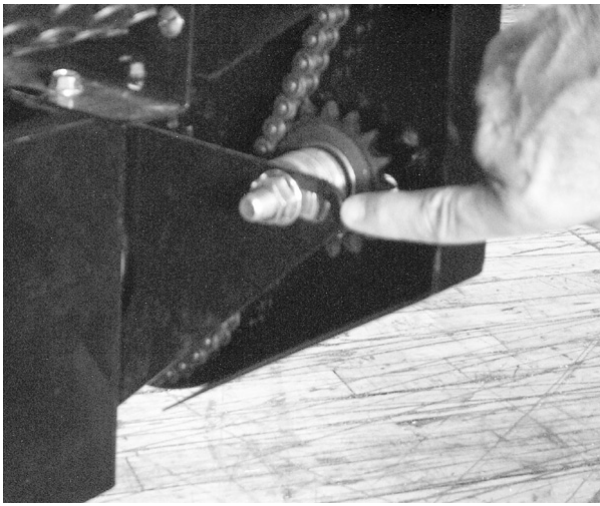
- Close and secure guards and shields before starting.
- Keep hands, feet, hair and clothing away from moving parts.
- Disconnect and lockout power source before adjusting or servicing.
- Do not stand or climb on machine when operating.

404

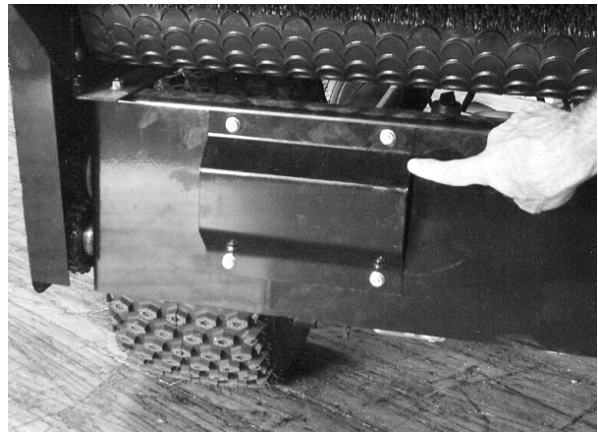


- 8 **Conveyer Belt Adjustment** is easily made by a single adjustment bolt on the left and right sides of the machine. First, loosen the jam nut and begin tightening the adjustment bolts. The belt should have some "play" in it. Each side should be adjusted the same, with the same distance between the bolt head and the front of the adjustment block. Having the adjustment equal on both sides is critical for proper belt tracking and acceptable service life of the belt.

- 5 **Be Sure** all shields are in place before operating the unit.



- 9 **Brush Chain Tightness** is adjusted by loosening the idler sprocket on the lower right side of the machine (viewed from behind the unit). Push the idler forward to tighten the chain, then re-tighten the idler bolt.

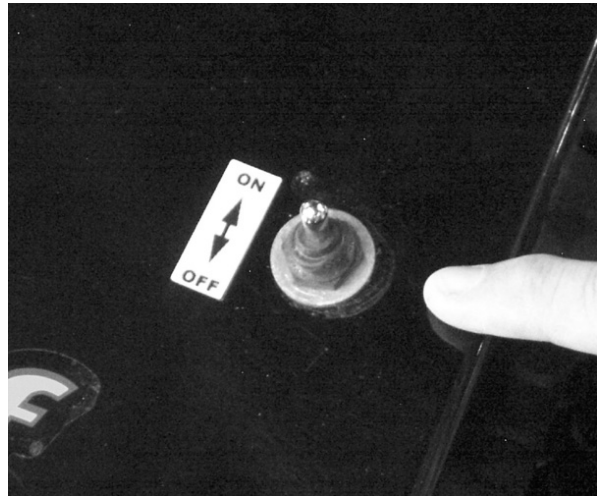


- 12 **Drive Clutch Service** - To access the overriding drive clutch, remove the four bolts from the back cover and remove the cover. This gives access to the clutch should repairs ever be necessary.

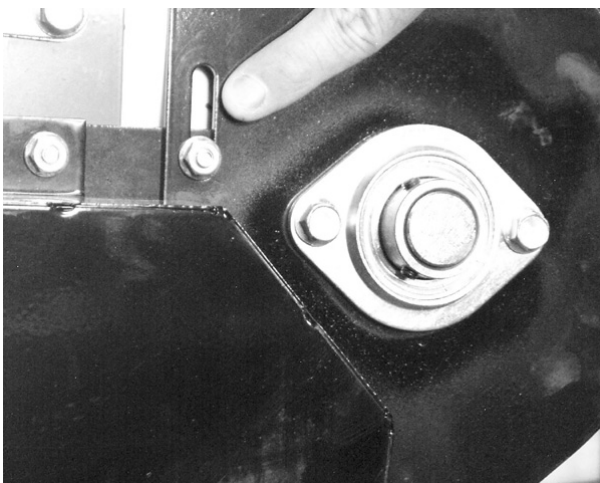
## OPERATION



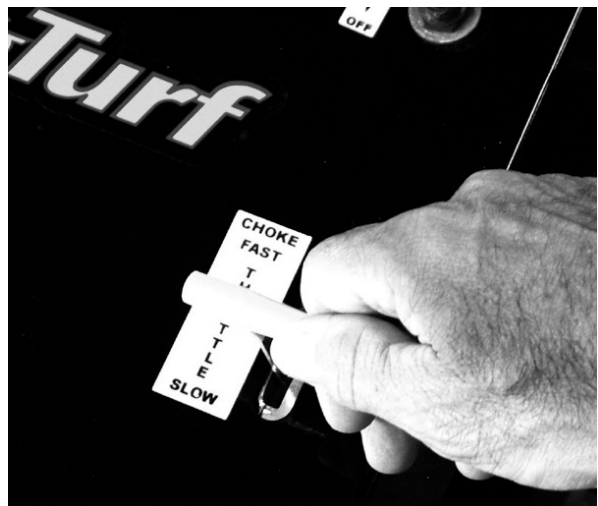
- 10 **Tightening the Conveyor Belt Drive Chain** is done by loosening the bolt that holds the chain idler (on the left side when viewed from behind the machine), then re-tightening the idler sprocket bolt.



- 1 **Engine On/Off Switch** - After completing all necessary maintenance and making sure the fuel tank is full, start the engine by first positioning the toggle switch in the "on" position.



- 11 **Brush Adjustment** - The brush can be adjusted by loosening the nuts on the brush slide (one on each side of the unit). Push down on the brush assembly until the brush makes light contact with the conveyor belt,



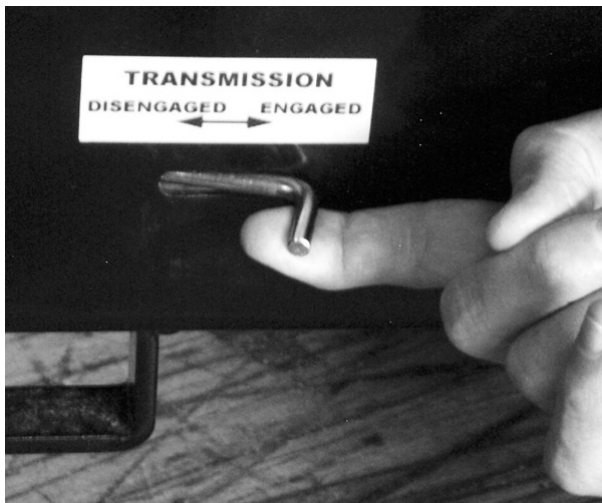
- 2 **Place the Throttle Lever** in the "choke" position and pull the starting rope, which is located just below the throttle control. When the engine starts, move the throttle lever back to the "fast" position.



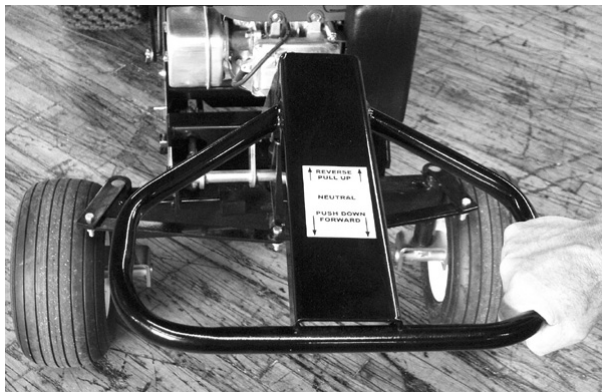
- 3 **Release the Parking Brake** by moving the lever backwards to the "off" position.



- 6 **Ready to Spread** - When you are ready to spread, you must engage the topdresser engagement lever rearward. To disengage the belt and brush, pull the lever forward. The topdresser will only spread when moving forward. The unit is designed this way so you cannot double-spread when backing into tight areas.

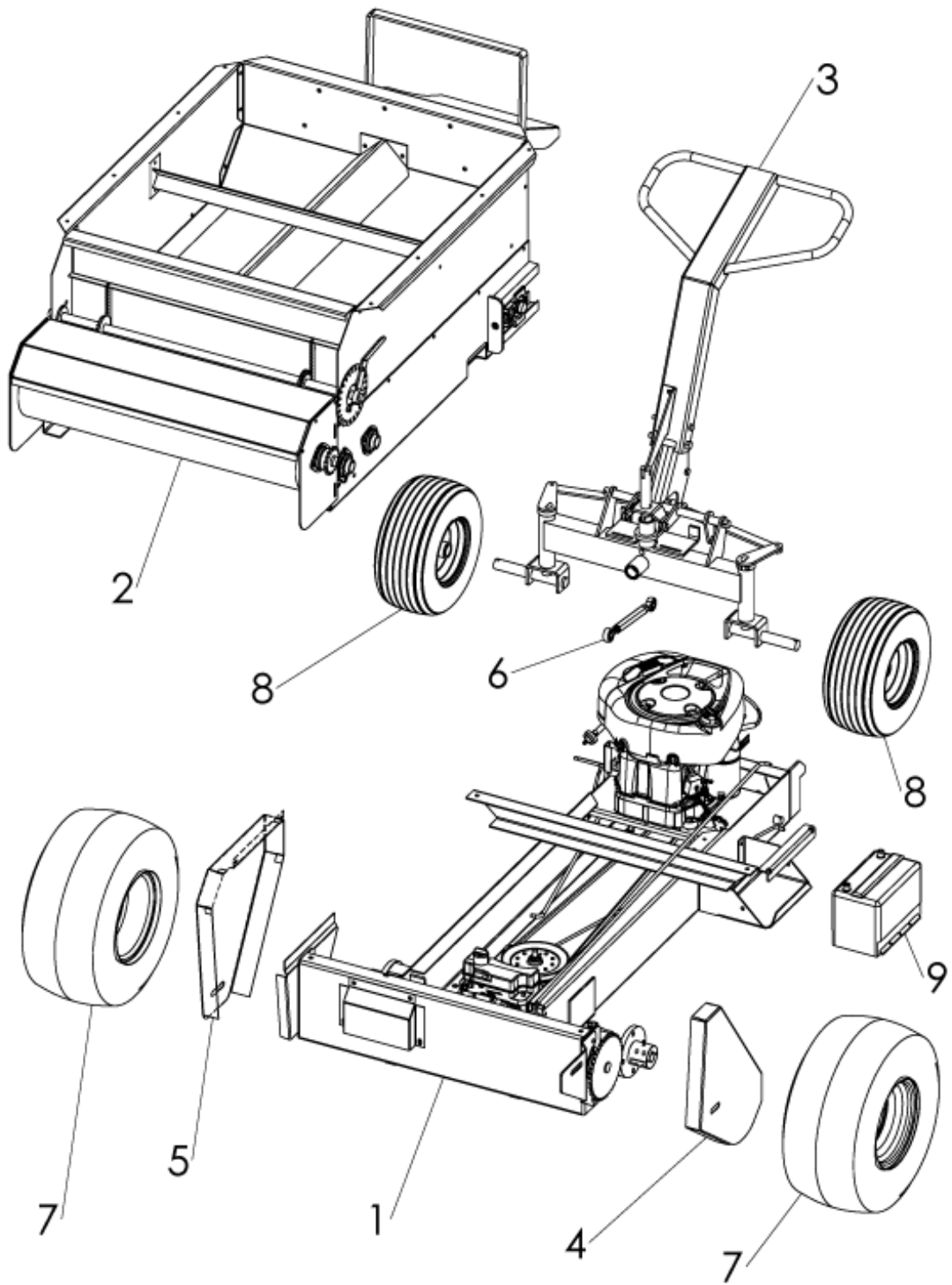


- 4 **Engage the Hydrostatic Transmission** by pulling the engagement lever forward. To permit free movement, should it be necessary to push the unit without the engine running, be sure to disengage the transmission by pushing this lever forward.

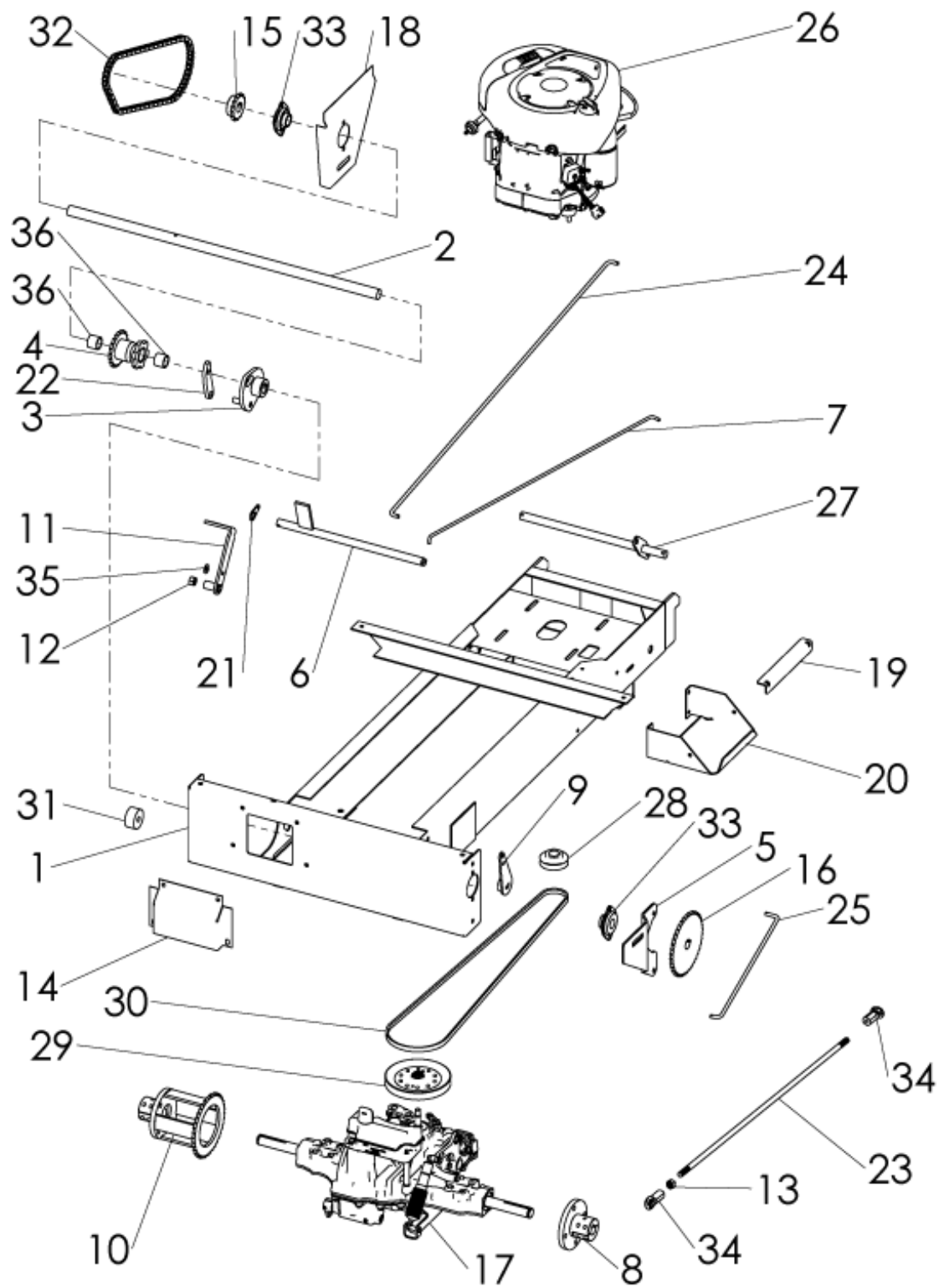


- 5 **Forward/Reverse** - To move the unit forward, push down on the steering handle. To steer the unit, simply move this handle from right to left, depending on the direction in which you wish to travel. To move in reverse, lift up on the handle and steer in the same manner.



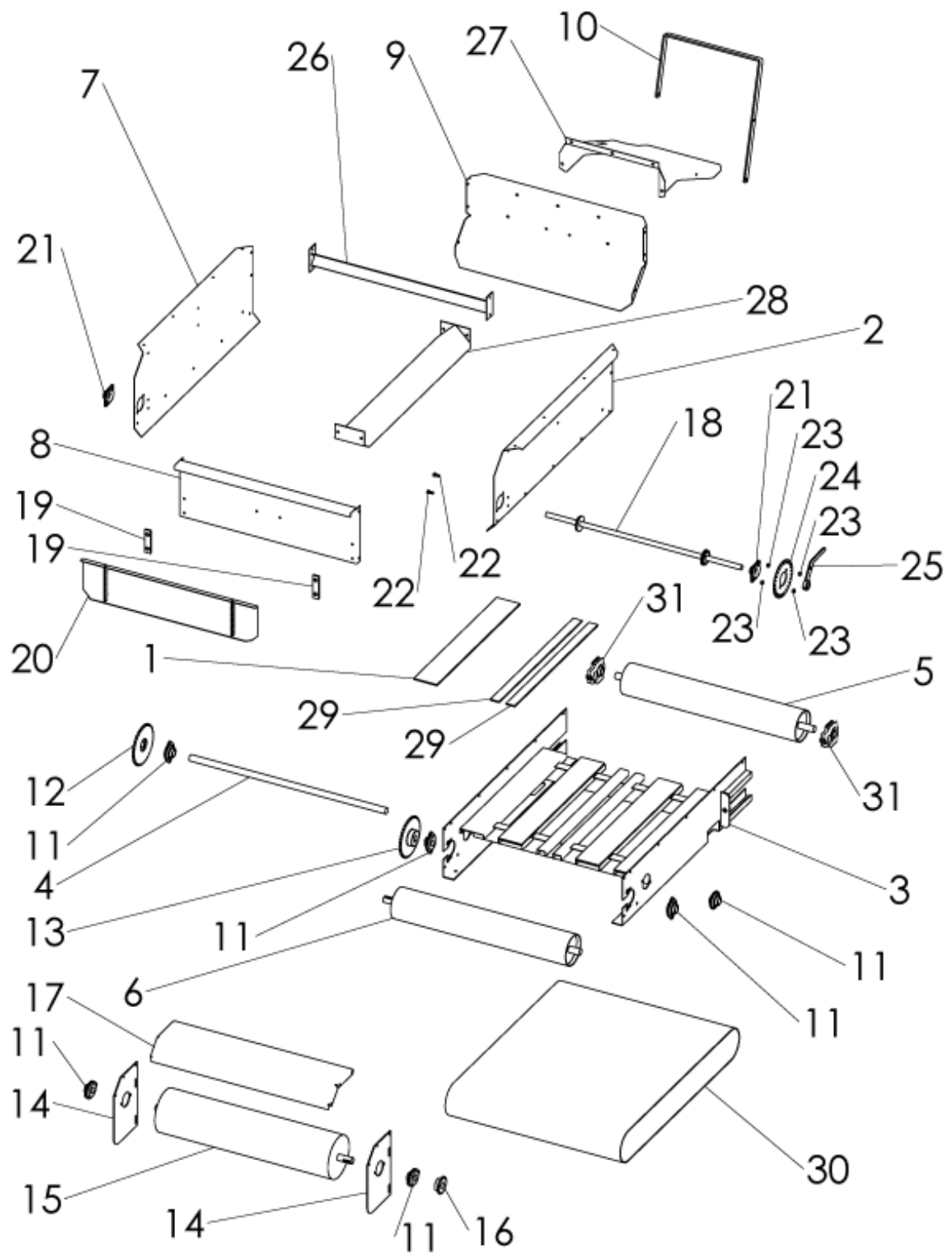


ITEM NO.	PART NUMBER	DESCRIPTION	QTY.
1	109003	Chassis Assembly	1
2	109002	Box Assembly	1
3	109001	Front Axle Assembly	1
4	101593	BRUSH DRIVE SHIELD	1
5	101553	BELT DRIVE SHIELD	1
6	109000	LINKAGE ASSEMBLY, SHORT	1
7	105009	REAR WHEEL	2
8	105007	FRONT WHEEL	2
9	105005	BATTERY	1

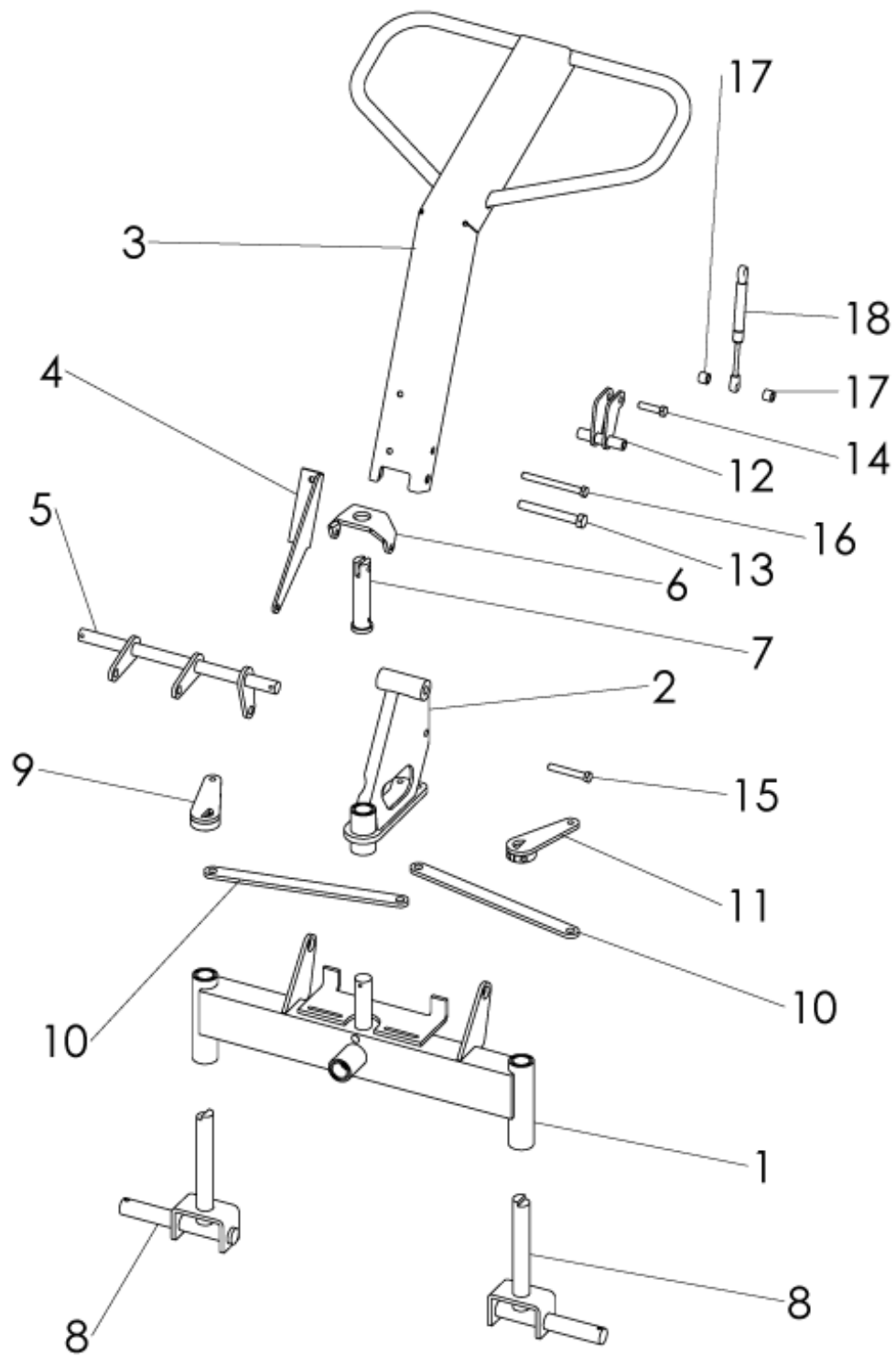




ITEM NO.	PART NUMBER	DESCRIPTION	QTY.
1	101900	SUB FRAME WA	1
2	101569	CLUTCH SHAFT	1
3	101909	CLUTCH WA	1
4	101906	CLUTCH SPROCKET WA	1
5	101528	TENSIONER BRKT	1
6	101607	CLUTCH STOP WA	1
7	101573	TRANSMISSION RELEASE LEVER	1
8	101911	WHEEL HUB WA	1
9	101612	CLUTCH LEVER WA	1
10	101913	WHEEL HUB DRIVE WA	1
11	101914	BRAKE HANDLE WA	1
12	10081300	HEX NUT 1/2-13 ZINC	1
13	10082000	HEX NUT 1/2-20 ZINC	1
14	101556	CLUTCH SHIELD	1
15	105026	40B16 x 1 in Sprocket	1
16	105025	SPROCKET 40B40 X 1"	1
17	105004	K72 TRANSMISSION	1
18	101495	SHIELD	1
19	101498	BATTERY CLAMP	1
20	101499	BATTERY RACK	1
21	101500	SPRING HOOK	1
22	101531	CLUTCH DOG	1
23	101591	TRANSMISSION ROD LONG	1
24	101579	CLUTCH LINK	1
25	101597	PARK BRAKE LINK	1
26	105006	ENGINE	1
27	101921	BELL CRANK WA	1
28	105003	ENGINE PULLEY	1
29	105008	TRANSMISSION PULLEY	1
30	105002	BELT	1
31	321060	CHAIN GUIDE, NYLON	1
32	105000	DRIVE CHAIN	1
33	105024	BEARING 1in. 2 Hole stamped	2
34	105029	1/2-20 Female Rod End	2
35	13050000	FLAT WASHER WIDE 5/16" ZINC	1
36	105030	1 x 1 BRONZE SLEEVE BEARING	2



ITEM NO.	PART NUMBER	DESCRIPTION	QTY.
1	101566	UHMW FLOOR STRIPS 4" WIDE	4
2	101504	SIDE PANEL LH	1
3	101903	FLOOR FRAME WA	1
4	101535	DRIVE SHAFT	1
5	101570	CONVEYOR IDLER PULLEY	1
6	101571	CONVEYOR DRIVE PULLEY	1
7	101505	SIDE PANEL RH	1
8	101503	BACK PANEL	1
9	101506	FRONT PANEL	1
10	101578	CLUTCH HANDLE	1
11	105024	BEARING 1in. 2 Hole stamped	6
12	101916	DOUBLE REDUCTION SPRKT	1
13	105025	SPROCKET 40B40 X 1"	1
14	101507	BRUSH BRACKET	2
15	101917	BRUSH WA	1
16	105026	40B16 x 1 in Sprocket	1
17	101508	BRUSH SHIELD	1
18	321904	METERING GATE SHAFT WA	1
19	321059	METERING GATE SLIDE	2
20	101918	METERING GATE WA	1
21	105027	BEARING .75 in. 2 Hole stamped	2
22	11051806	HEX BOLT 5/16"-18 X 3/4" ZINC	2
23	10051800	HEX NUT 5/16"-18 ZINC	4
24	321023	METERING GATE POSITONER	1
25	321917	METERING GATE HANDLE WA	1
26	321913	SIDE BRACE WA	1
27	101558	ENGINE COVER	1
28	101919	BAFFLE WA	1
29	101595	UHMW FLOOR STRIPS 1 1/2" WIDE	2
30	105014	CONVEYOR BELT	1
31	105028	SLIDE BEARING UCST205-16	2



ITEM NO.	PART NUMBER	DESCRIPTION	QTY.
1	101901	FRONT AXLE WA	1
2	101902	STEERING ARM WA	1
3	101904	HANDLE BAR WA	1
4	101519	TRANSAXLE ENGAGEMENT ARM	1
5	101905	TRANSFER SHAFT WA	1
6	101564	LINKAGE SWIVEL BRKT	1
7	101565	LINKAGE SWIVEL PIN	1
8	101910	FRONT SPINDLE WA	2
9	101915	STEERING ARM WA LH	1
10	101588	STEERING LINKAGE	2
11	101922	STEERING ARM WA RH	1
12	101923	GAS SPRING TAB WA	1
13	11081340	HEX BOLT 1/2"-13 X 4" ZINC	1
14	11061614	HEX BOLT 3/8"-16 X 1 1/2" ZINC	1
15	11061624	HEX BOLT 3/8"-16 X 2 1/2" ZINC	1
16	11061640	HEX BOLT 3/8"-16 X 4" ZINC	1
17	101515	.375 OD x .5 Long Bushing	2
18	109004	Gas Spring Assembly 2' Stroke	1

# NOTES

# NOTES



# OPERATOR'S MANUAL



112 South Railroad Avenue  
New Holland, PA 17557 U.S.A.  
Tel 717 • 355 • 2276  
Fax 717 • 355 • 2879

**TOLL FREE**  
**Service Hot Line**  
**1 • 888 • My • E • and • T**  
**( 1 • 888 • 693 • 2638 )**

**Earth & Turf** is a company dedicated to developing new, innovative equipment that delivers greater productivity.

*We achieve this by solving everyday, real-world problems.*

**Earth & Turf** is continually striving to improve its designs, products and services.

*We reserve the right to make improvements or changes when it becomes practical and possible to do so, without incurring any obligation to make changes or additions to previously sold equipment.*